



# MR . BO

## GENERAL INFO

Radial-emission bollard.  
Ø160mm  
H 400mm – 800mm – 1000mm

## LED

Chip on board  
From 1427lm to 3817lm  
2700K – 3000K – 4000K  
Ra84  
Ra90 upon request

## PRODUCT EFFICACY

Unitil 51lm/W

## OPTICS

90° - 90° + 90° - 180° - 360°

## POWER SUPPLY

Electronic – DALI  
Casambi control: the DALI version is fitted  
with special accessories.

## MATERIAL

Powdered coated anodised die-cast  
aluminium body. Die-cast aluminium  
optical head. Ferrite finish.

LED bollard specifically designed to light large  
open spaces.

Its mechanical characteristics (IK10) and  
performance make it possible to use in every  
space.

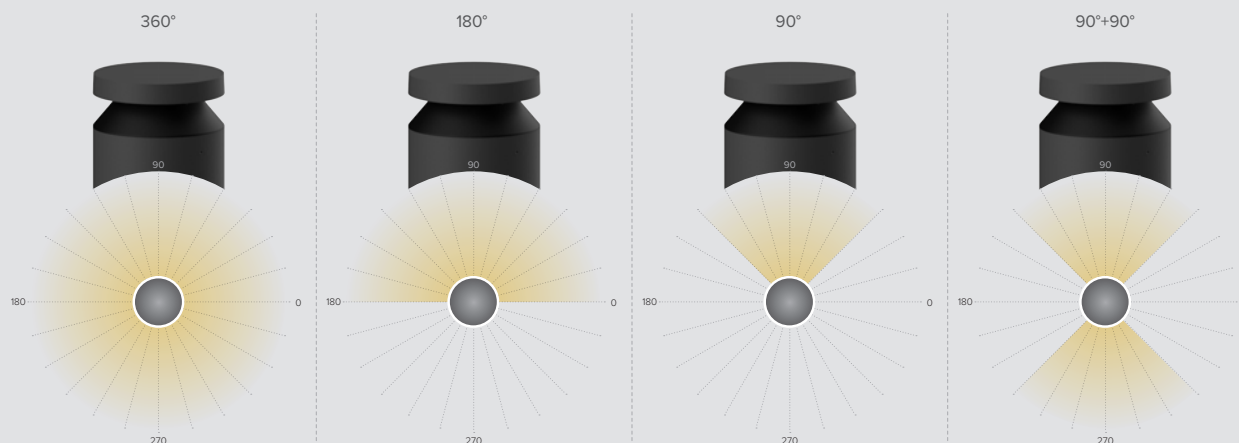
The highly controlled radial emission avoids  
any risk of glare while still ensuring deep  
lighting in pedestrian areas.





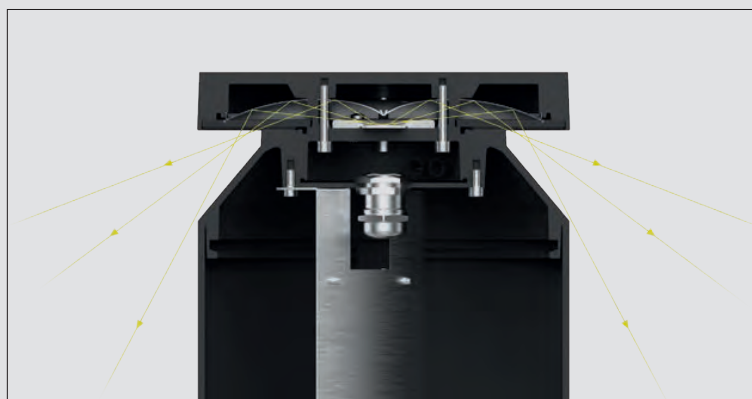
# MR.B0 plus

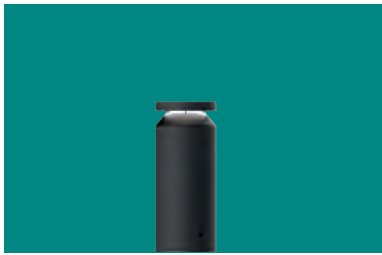
01



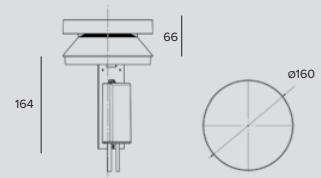
## The fixture is made of three different elements

that combined together produce numerous combinations. Four different light heads for four radial emissions from 90° a 360° combine with stakes in three different heights of 334mm, 734mm and 934mm and with the mounting systems.





## Optic head for bollard H. 334mm



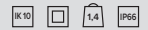
### LED / 8W / 90°



	3000K		
	Ra84		
	Fixture Power	9W	
	Source Flux	1488lm	
	Fixture Flux	223lm	
Efficacy	26lm/W		
TS1120	I <sub>max</sub> =165cd/klm	I <sub>max</sub>	246cd

Driver	Colour	2700K	3000K	4000K
EL.	●	<b>1E3428EL</b>	<b>1E3429EL</b>	<b>1E3430EL</b>
DALI	●	<b>1E3428DA</b>	<b>1E3429DA</b>	<b>1E3430DA</b>

### LED / 12W / 90°+90°



	3000K		
	Ra84		
	Fixture Power	14W	
	Source Flux	2034lm	
	Fixture Flux	456lm	
Efficacy	34lm/W		
TS1121	I <sub>max</sub> =122cd/klm	I <sub>max</sub>	247cd

Driver	Colour	2700K	3000K	4000K
EL.	●	<b>1E3431EL</b>	<b>1E3432EL</b>	<b>1E3433EL</b>
DALI	●	<b>1E3431DA</b>	<b>1E3432DA</b>	<b>1E3433DA</b>

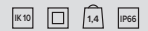
### LED / 12W / 180°



	3000K	H(m)	D1(m)	D2(m)	E <sub>max</sub> (lx)		
	Ra84		43°	90°			
	Fixture Power	14W	1	3.07	13.22	76	
	Source Flux	2034lm	2	6.14	26.45	19	
	Fixture Flux	454lm	3	9.21	39.67	8	
Efficacy	34lm/W	4	12.28	52.89	5		
TS1119	I <sub>max</sub> =146cd/klm	I <sub>max</sub>	297cd	5	15.35	66.11	3

Driver	Colour	2700K	3000K	4000K
EL.	●	<b>1E3425EL</b>	<b>1E3426EL</b>	<b>1E3427EL</b>
DALI	●	<b>1E3425DA</b>	<b>1E3426DA</b>	<b>1E3427DA</b>

### LED / 17W / 360°

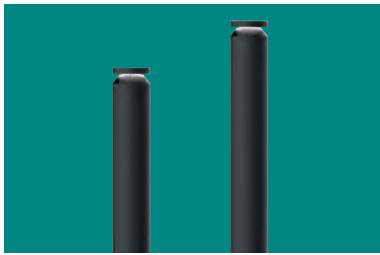


	3000K	H(m)	D(m)	E <sub>max</sub> (lx)		
	Ra84		41°			
	Fixture Power	18W	1	2.98	79	
	Source Flux	2783lm	2	5.95	20	
	Fixture Flux	910lm	3	8.93	9	
Efficacy	50lm/W	4	11.91	5		
TS1118	I <sub>max</sub> =100cd/klm	I <sub>max</sub>	278cd	5	14.88	3

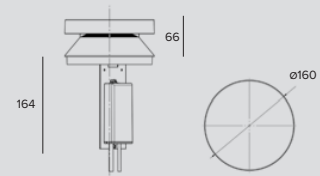
Driver	Colour	2700K	3000K	4000K
EL.	●	<b>1E3422EL</b>	<b>1E3423EL</b>	<b>1E3424EL</b>
DALI	●	<b>1E3422DA</b>	<b>1E3423DA</b>	<b>1E3424DA</b>

The optical head must be completed with a pole and a mounting system available from the completion codes.

# MR. B0



## Optic head for bollard H. 734/934mm



LED / 12W / 90°		<span>K10</span> <span>□</span> <span>1,4</span> <span>IP66</span>				
	3000K	Driver	Colour	2700K	3000K	4000K
	Ra84	EL.	●	<b>1E3416EL</b>	<b>1E3417EL</b>	<b>1E3418EL</b>
	Fixture Power 14W	DALI	●	<b>1E3416DA</b>	<b>1E3417DA</b>	<b>1E3418DA</b>
	Source Flux 2034lm					
	Fixture Flux 305lm					
	Efficacy 23lm/W					
TS1120	I <sub>max</sub> =165cd/klm	I <sub>max</sub>				

LED / 17W / 90°+90°		<span>K10</span> <span>□</span> <span>1,4</span> <span>IP66</span>				
	3000K	Driver	Colour	2700K	3000K	4000K
	Ra84	EL.	●	<b>1E3419EL</b>	<b>1E3420EL</b>	<b>1E3421EL</b>
	Fixture Power 18W	DALI	●	<b>1E3419DA</b>	<b>1E3420DA</b>	<b>1E3421DA</b>
	Source Flux 2783lm					
	Fixture Flux 623lm					
	Efficacy 34lm/W					
TS1121	I <sub>max</sub> =122cd/klm	I <sub>max</sub>				

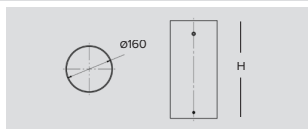
LED / 17W / 180°		<span>K10</span> <span>□</span> <span>1,4</span> <span>IP66</span>								
	3000K	H(m)	D1(m)	D2(m)	E <sub>max</sub> (lx)	Driver	Colour	2700K	3000K	4000K
	Ra84		43°	90°		EL.	●	<b>1E3413EL</b>	<b>1E3414EL</b>	<b>1E3415EL</b>
	Fixture Power 18W	1	3.07	13.22	104	DALI	●	<b>1E3413DA</b>	<b>1E3414DA</b>	<b>1E3415DA</b>
	Source Flux 2783lm	2	6.14	26.45	26					
	Fixture Flux 621lm	3	9.21	39.67	12					
	Efficacy 34lm/W	4	12.28	52.89	6					
TS1119	I <sub>max</sub> =146cd/klm	I <sub>max</sub>	407cd	5	15.35	66.11	4			

LED / 24W / 360°		<span>K10</span> <span>□</span> <span>1,4</span> <span>IP66</span>							
	3000K	H(m)	D(m)	E <sub>max</sub> (lx)	Driver	Colour	2700K	3000K	4000K
	Ra84		41°		EL.	●	<b>1E3410EL</b>	<b>1E3411EL</b>	<b>1E3412EL</b>
	Fixture Power 26W	1	2.98	106	DALI	●	<b>1E3410DA</b>	<b>1E3411DA</b>	<b>1E3412DA</b>
	Source Flux 3723lm	2	5.95	26					
	Fixture Flux 1217lm	3	8.93	12					
	Efficacy 47lm/W	4	11.91	7					
TS1118	I <sub>max</sub> =100cd/klm	I <sub>max</sub>	372cd	5	14.88	4			

The optical head must be completed with a pole and a mounting system available from the completion codes.

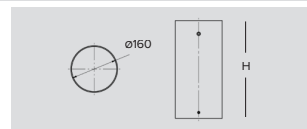
## Related codes

### Bollard



Kg	H	Colour	Code
1.34	334	●	<b>1E3434</b>

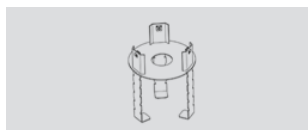
Powder coated anodised aluminium pole.



Kg	H	Colour	Code
2.95	734	●	<b>1E3435</b>
3.8	934	●	<b>1E3436</b>

Powder coated anodised aluminium pole.

### Mounting System

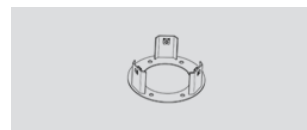


Code

Plate with fixing rods for installation in concrete.

**1E3449**

AISI 316 stainless steel.



Code

Plate for surface installation.

**1E3448**

AISI 316 stainless steel compatible with dowels to be inserted into holes with 8.5 mm diameter.

### Control systems



Code

**1E3048**

A IP67 Module for individual control of external devices equipped with DALI drivers. The module needs to be positioned in order to receive radio signals. The distance to the lighting fixtures can reach up to 50m.



Code

**1E3049**

IP67 Extender for wireless control with DALI interfaces. It generates a local DALI bus with the capacity to drive up to 64 fixtures and can control groups of fixtures in outdoor applications. It prevents any change to the management features provided by the Casambi system.